

HT007 - 5.5m Oregon Exhibition Trailer



HT007 - 5.5m Oregon Exhibition Trailer



- 5500mm x 2150mm body (internal dimensions)
- Twin axle 2600kg maximum gross laden weight
- 4 glazed bi-fold doors
- 3m of clip on aluminium steps with handrails
- Full length lift up canopy with logo board
- Pair of display wings
- Moulded aerodynamic front
- Pedestrian door with steps
- Non-slip vinyl floor covering
- Galley with sink, fridge and serve over counter
- Upholstered bench seats (storage under)
- 2 x corner coffee table (storage under)
- Curved coffee table/AV unit
- 240v 6 double sockets
- 240v 2 strip lights and 10 track mounted spotlights



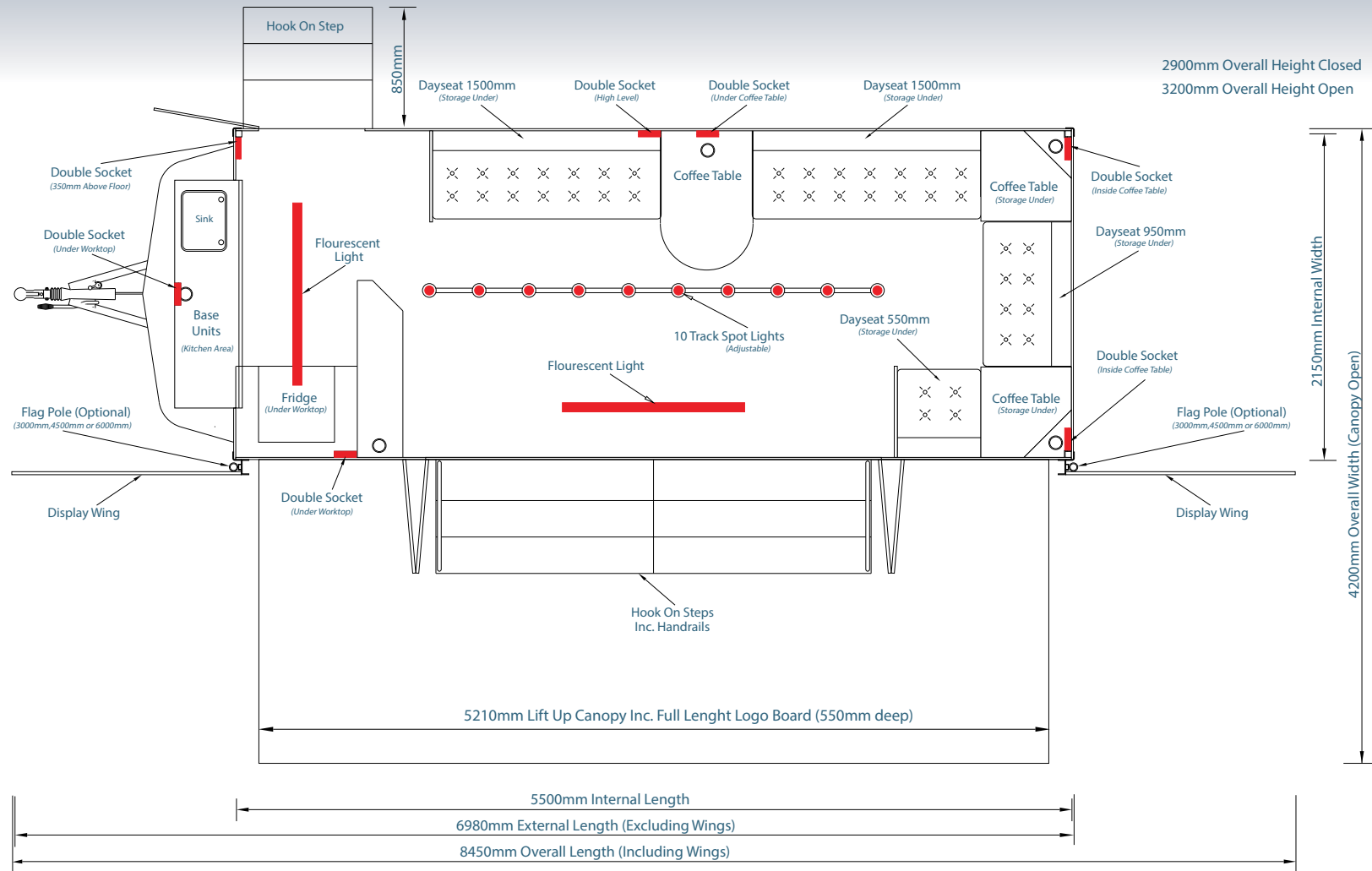
HT007 - 5.5m Oregon Exhibition Trailer



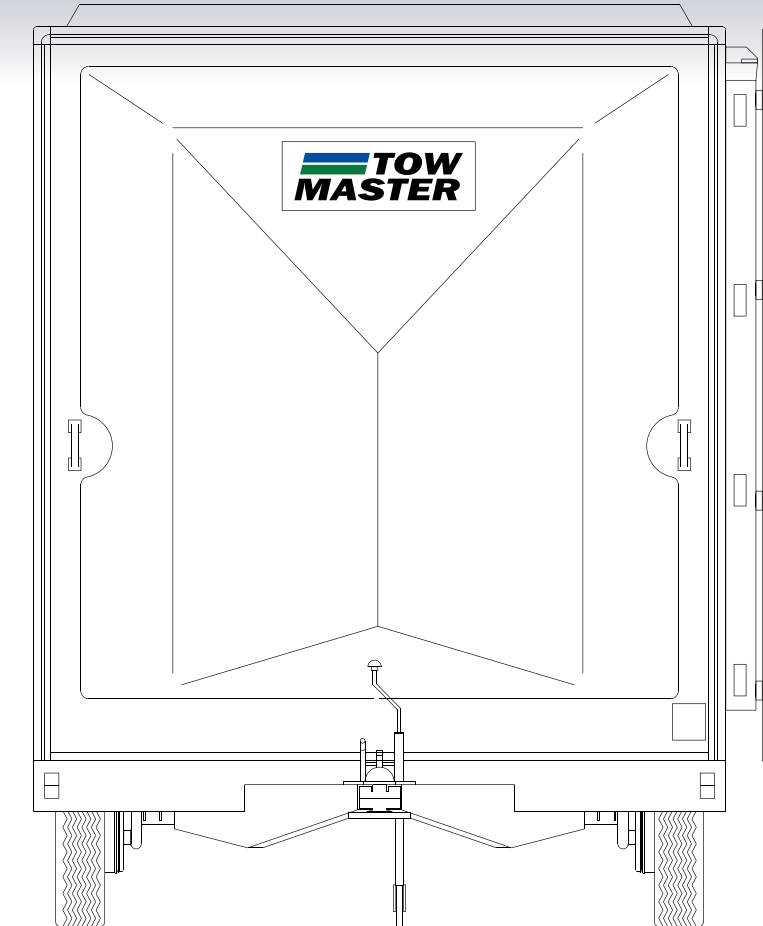
- Pair of 3mt flag poles
- 4000mm x 2000mm aluminium clip on platform with stainless steel handrails
- 3000mm x 750mm aluminium clip on ramp with stainless steel handrails
- 3kw super silent petrol generator with keyed ignition and inbuilt inverter
- Velcro compatible display panels
- Foamex graphics panels
- 42inch HD LED monitor
- Blu-ray/DVD player



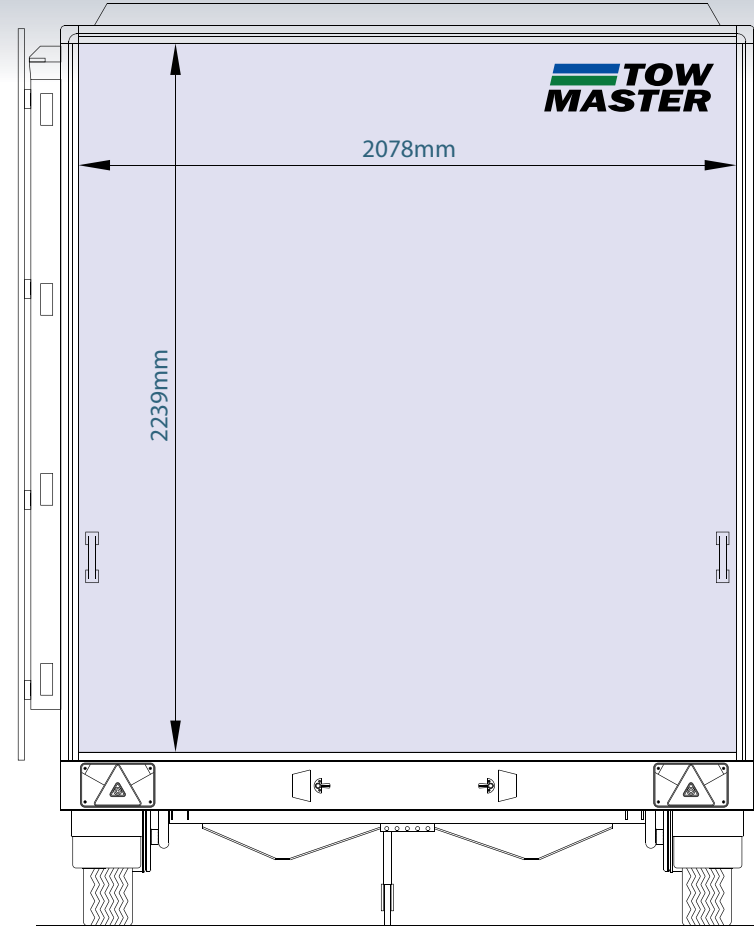
HT007 - 5.5m Oregon Exhibition Trailer



HT007 - 5.5m Oregon Exhibition Trailer

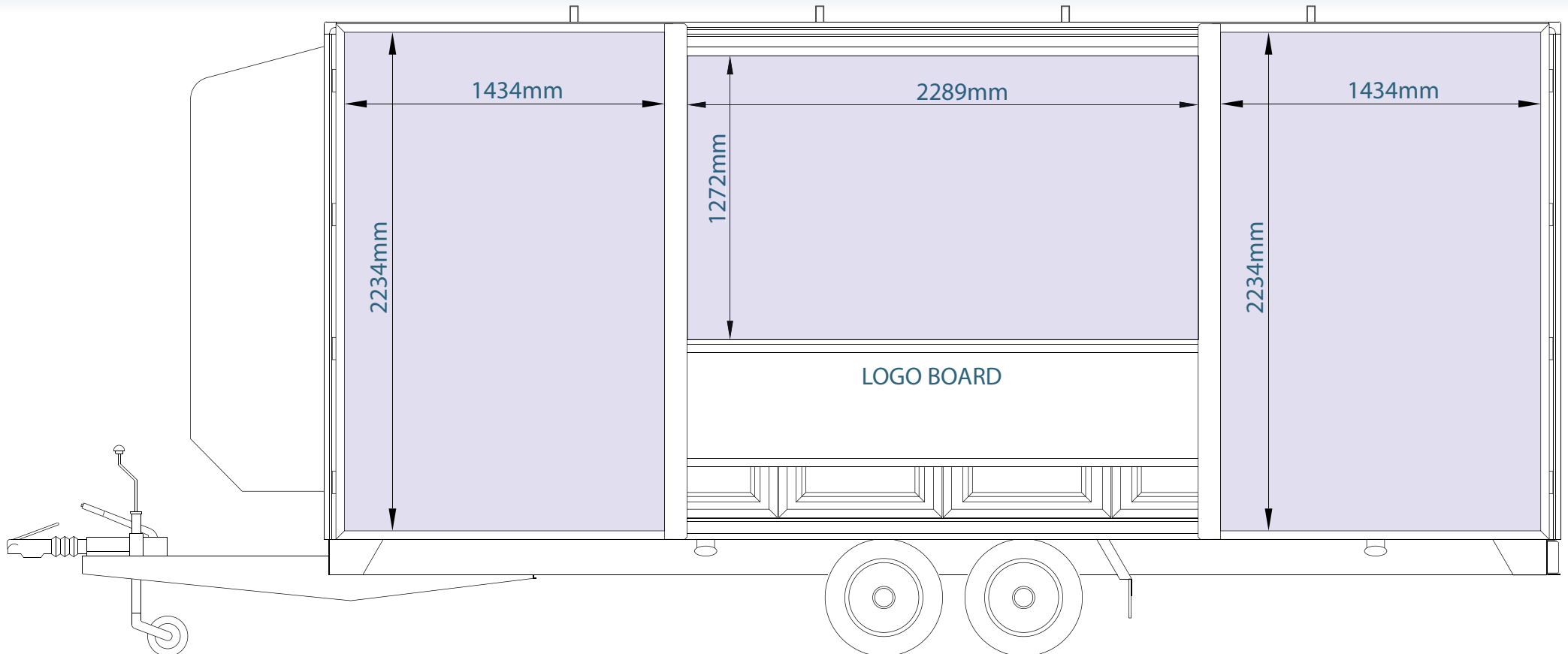


FRONT VIEW (NOSECONE)

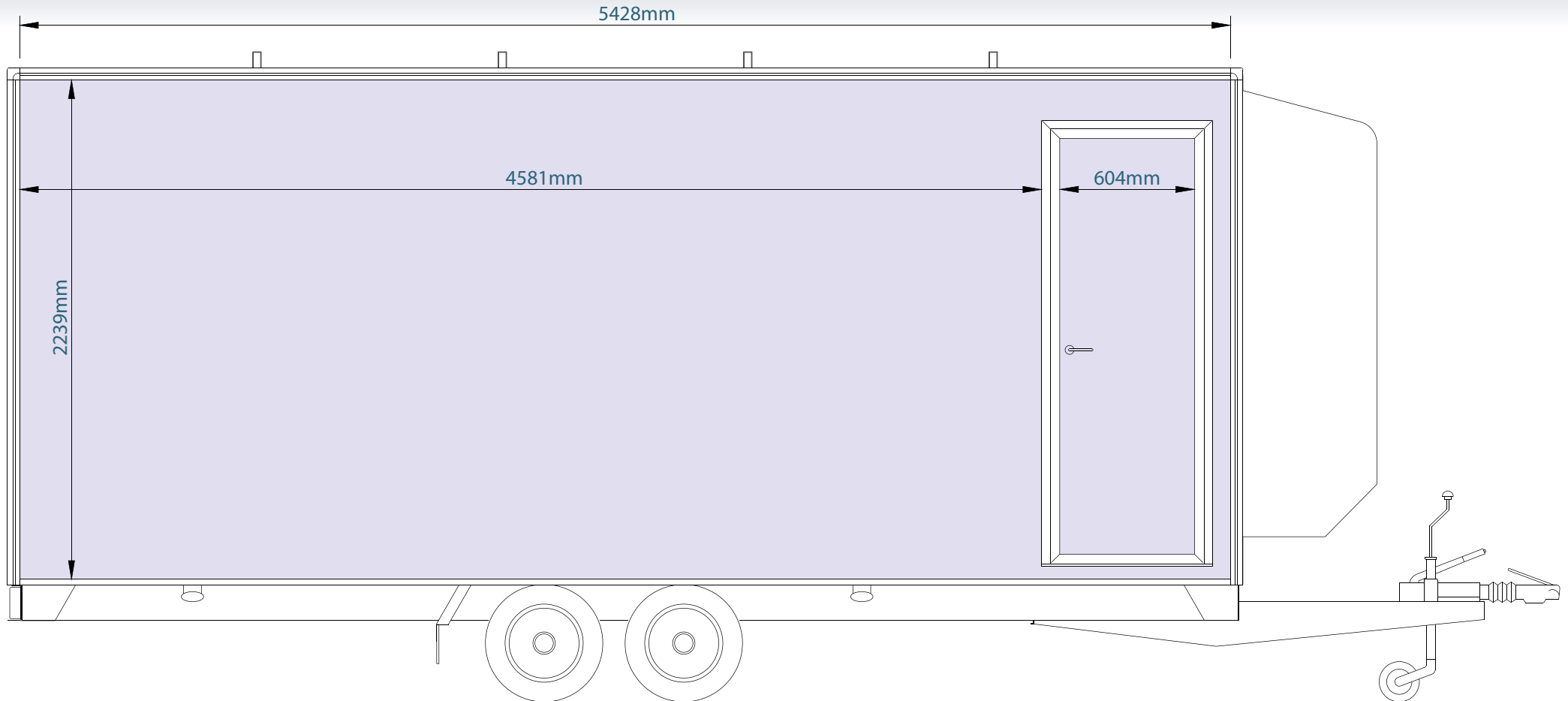


REAR VIEW

HT007 - 5.5m Oregon Exhibition Trailer



HT007 - 5.5m Oregon Exhibition Trailer



HT007 - 5.5m Oregon Exhibition Trailer

5mm Thick Foamex Is Recommended for Graphic Panels

