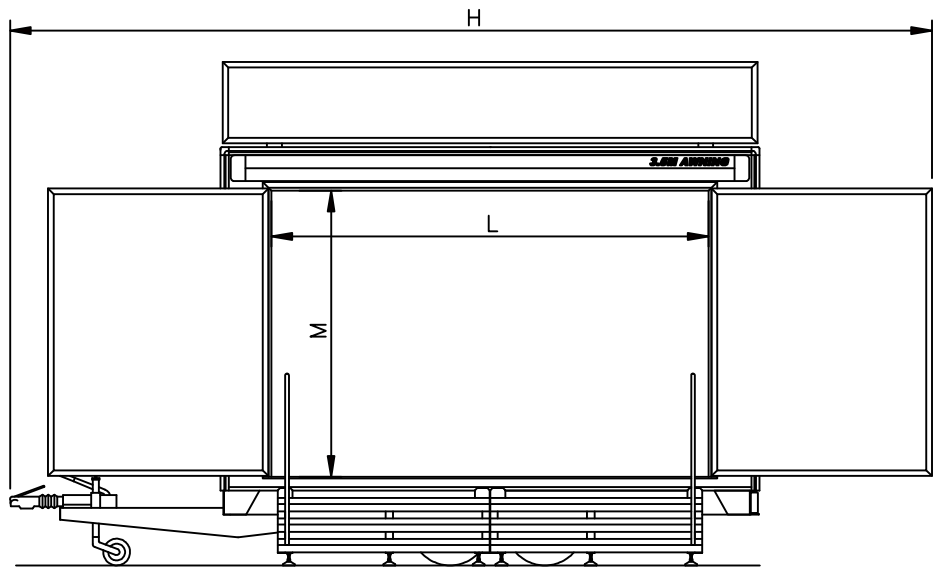
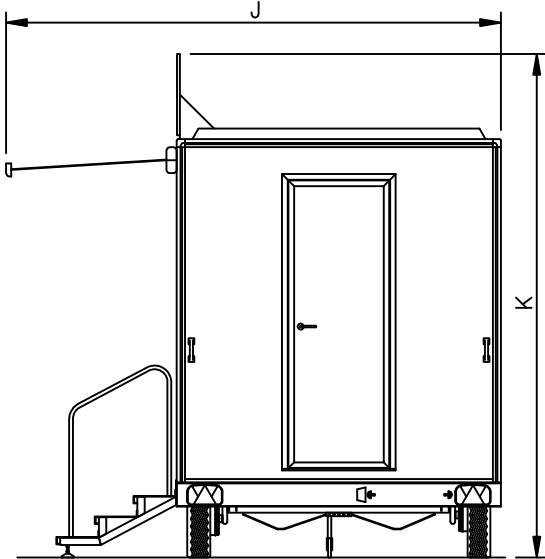
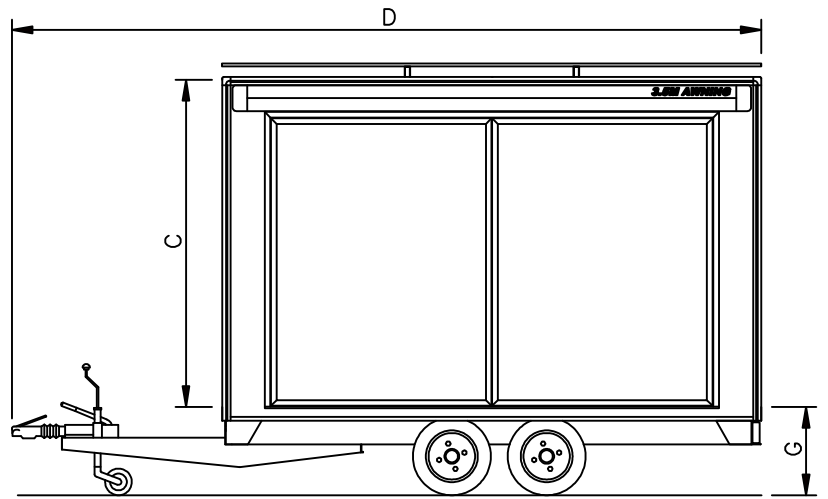
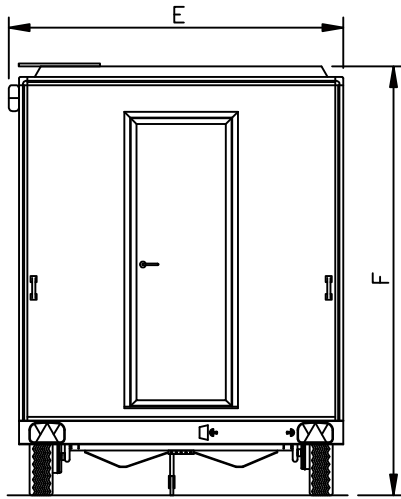
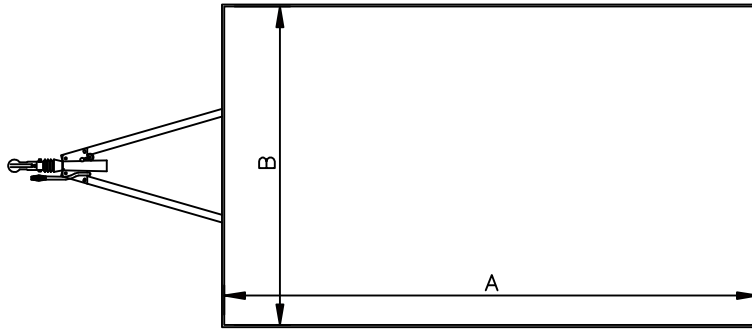


IDAHO 2010

STD AWNING & ROOF LOGO BOARD



		REF	3.6 x 2.15M	4.2 x 2.15M	4.8 x 2.15M	5.5 x 2.15M
UNIT CLOSED	INTERNAL LENGTH	A	3600mm	4200mm	4800mm	5500mm
UNIT CLOSED	INTERNAL WIDTH	B	2150mm	2150mm	2150mm	2150mm
UNIT CLOSED	INTERNAL HEIGHT	C	2200mm	2200mm	2200mm	2200mm
UNIT CLOSED	OVERALL LENGTH	D	5058mm	5658mm	6258mm	6958mm
UNIT CLOSED	OVERALL WIDTH	E	2258mm	2258mm	2258mm	2258mm
UNIT CLOSED	OVERALL HEIGHT	F	2914mm	2914mm	2914mm	2914mm
UNIT CLOSED	FLOOR HEIGHT	G	600mm	600mm	600mm	600mm
UNIT OPEN	OVERALL LENGTH	H	6222mm	7165mm	7422mm	7772mm
UNIT OPEN	OVERALL WIDTH	J	UPTO 4250mm	UPTO 4250mm	UPTO 4250mm	UPTO 4250mm
UNIT OPEN	OVERALL HEIGHT	K	3398mm	3398mm	3398mm	3398mm
UNIT OPEN	FLAP WIDTH	L	2950mm	3550mm	3550mm	3550mm
UNIT OPEN	FLAP HEIGHT	M	1930mm	1930mm	1930mm	1930mm